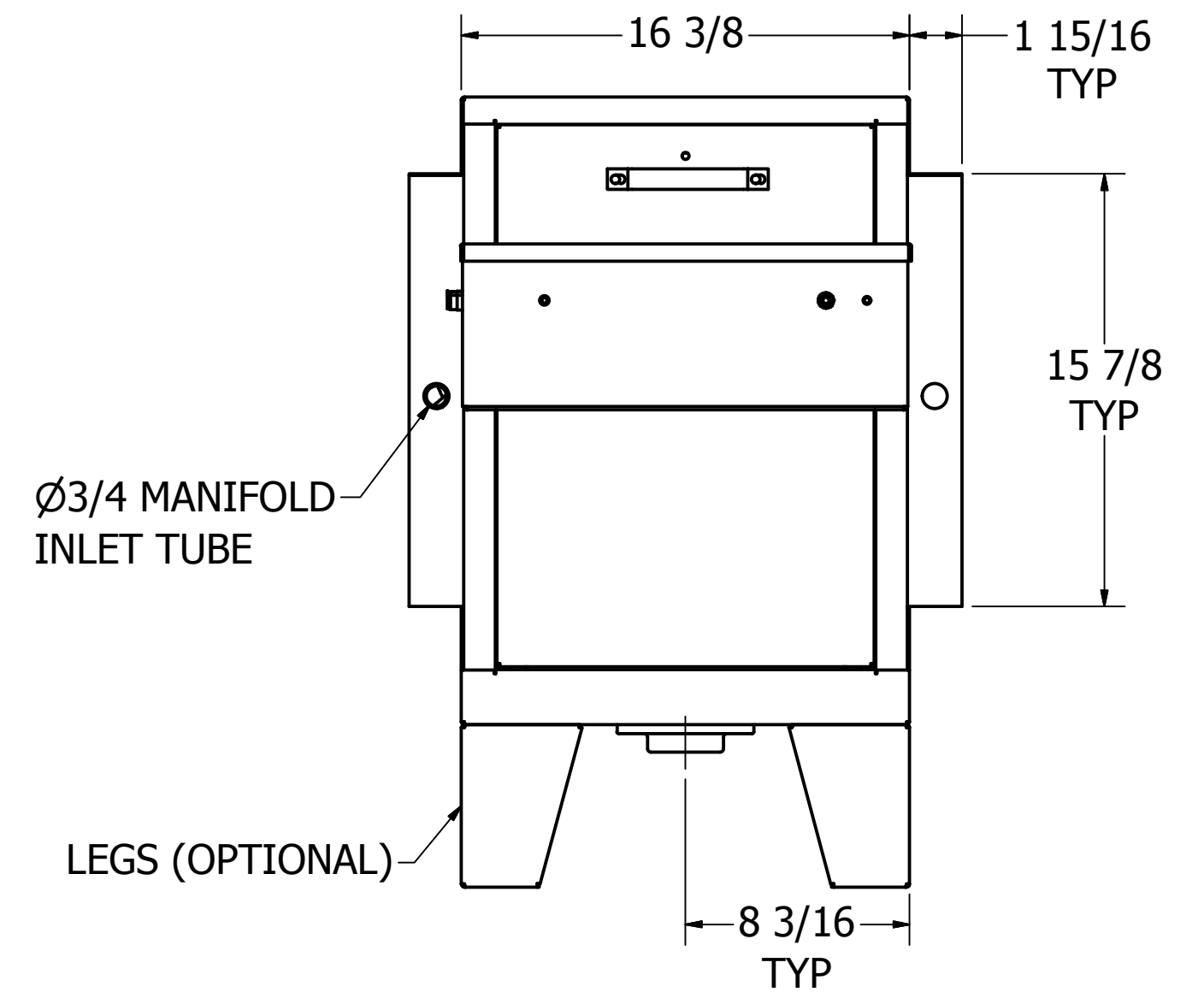
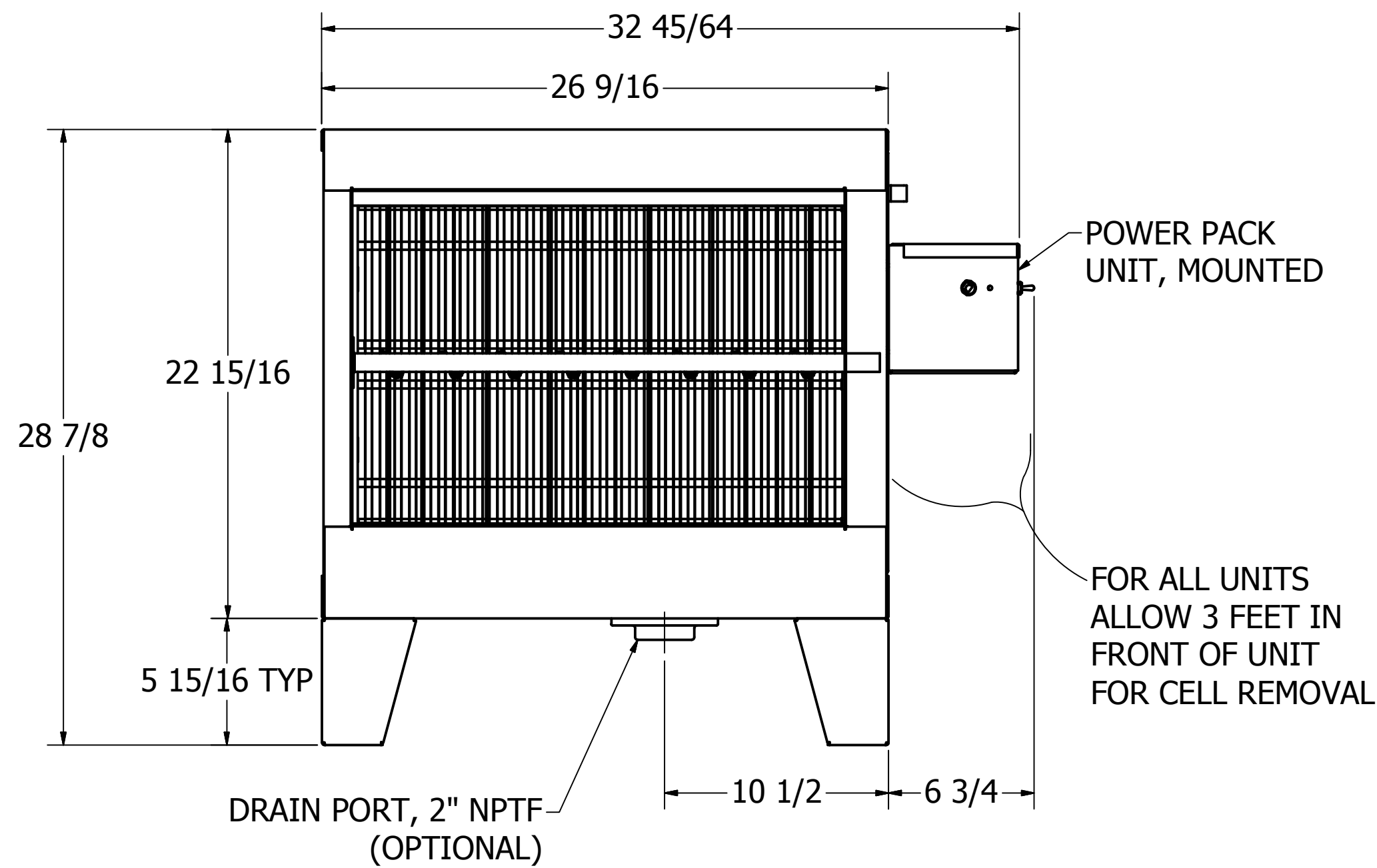
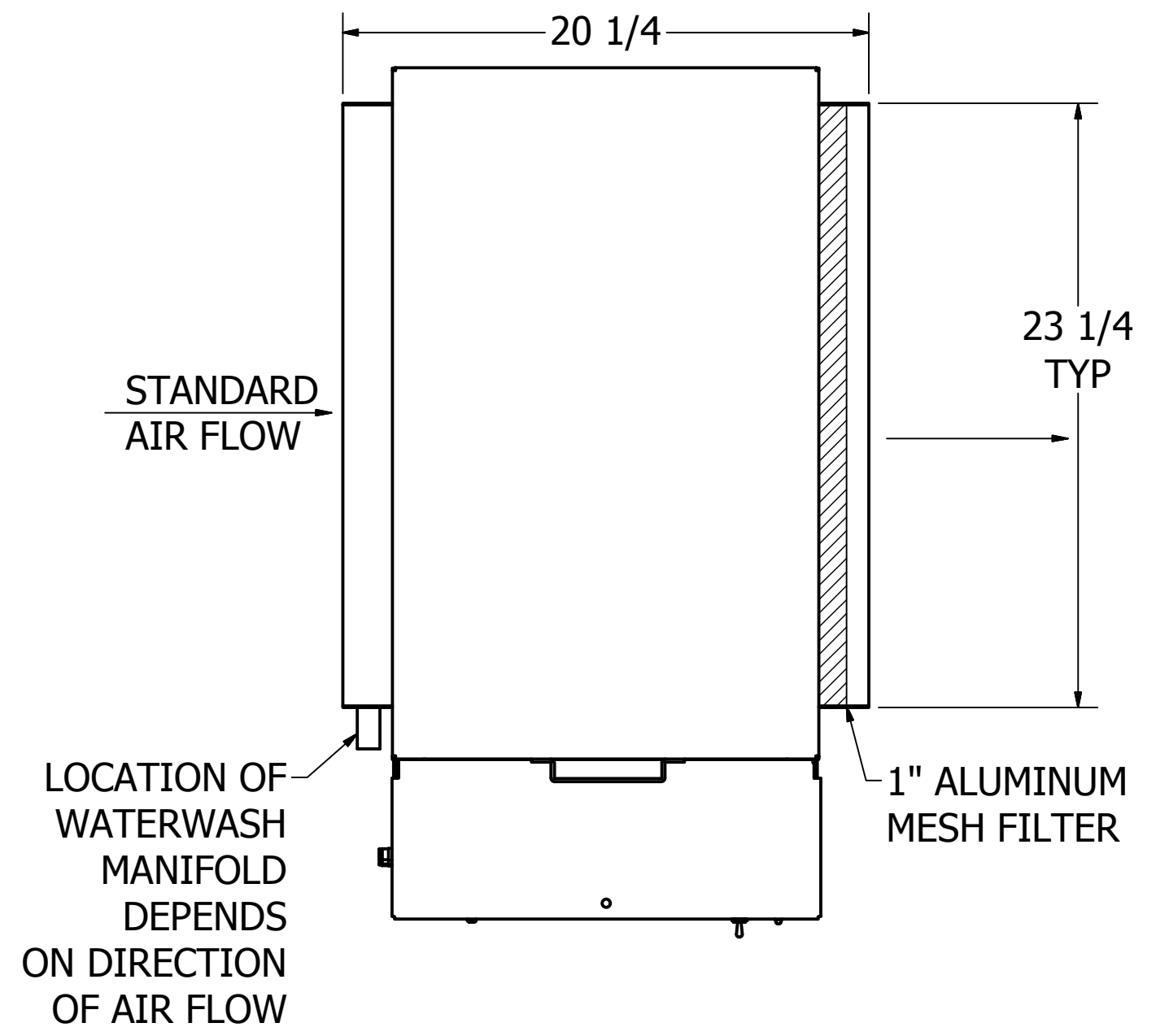
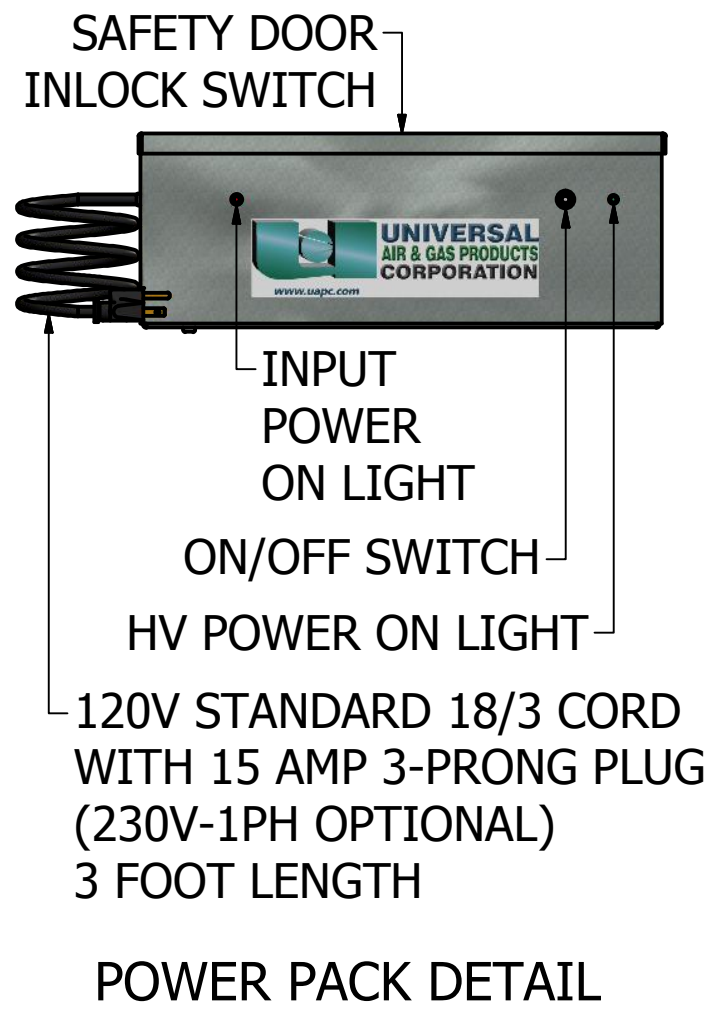


WATERWASH
MANIFOLD
(OPTIONAL)

1200 CFM UAPC
PRECIPITATOR CELL



NOTE: REMOTE POWER PACK PROVISIONS
AVAILABLE AS AN OPTION.

DRAWN KEF	10/14/2011	UNIVERSAL AIR PRODUCTS CORP. 1135 LANCE RD NORFOLK, VA 23502		
CHECKED		TITLE		
QA		C3-12H1: 1200 CFM COMMERCIAL 1 HIGH I3-12H1: 1200 CFM INDUSTRIAL 1 HIGH		
MFG		SIZE C	DWG NO 3-12H1	REV B
APPROVED		SCALE 1/6	SHEET 1 OF 1	