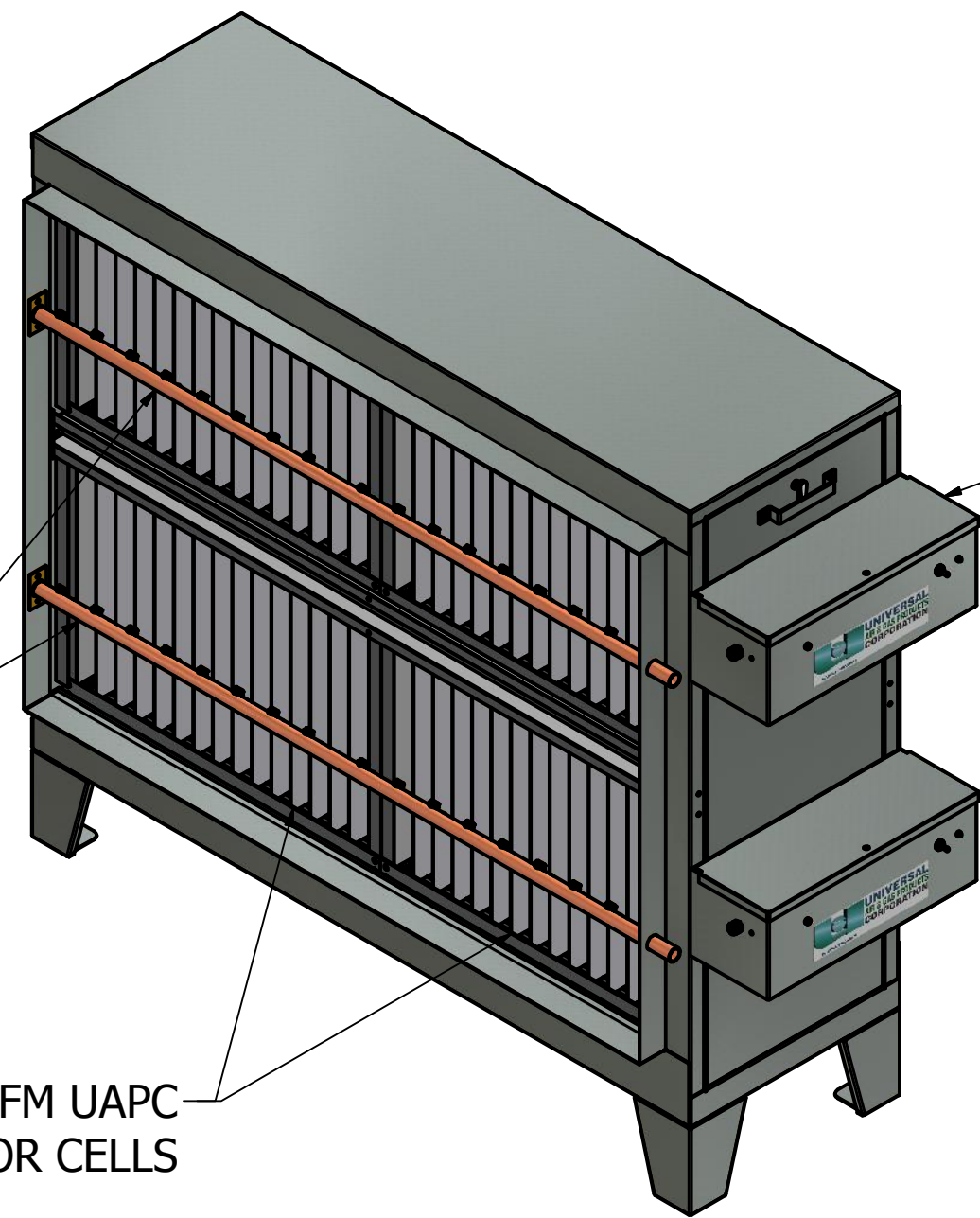
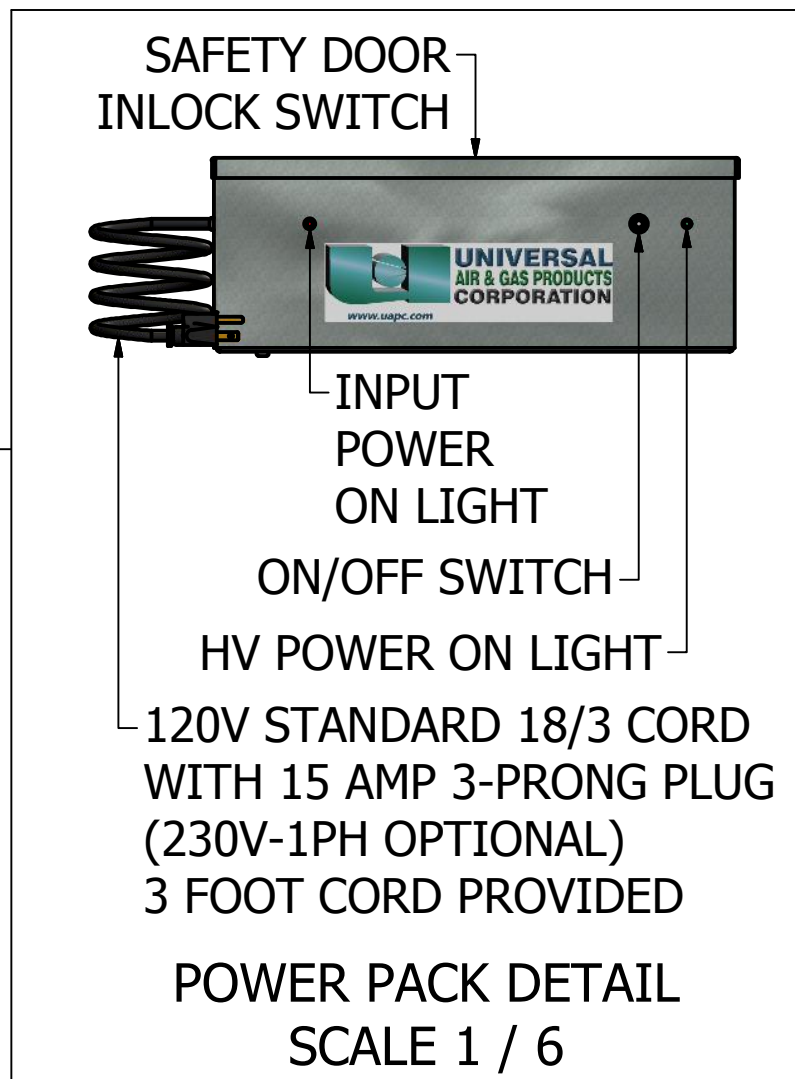


WATERWASH
MANIFOLDS
(OPTIONAL)

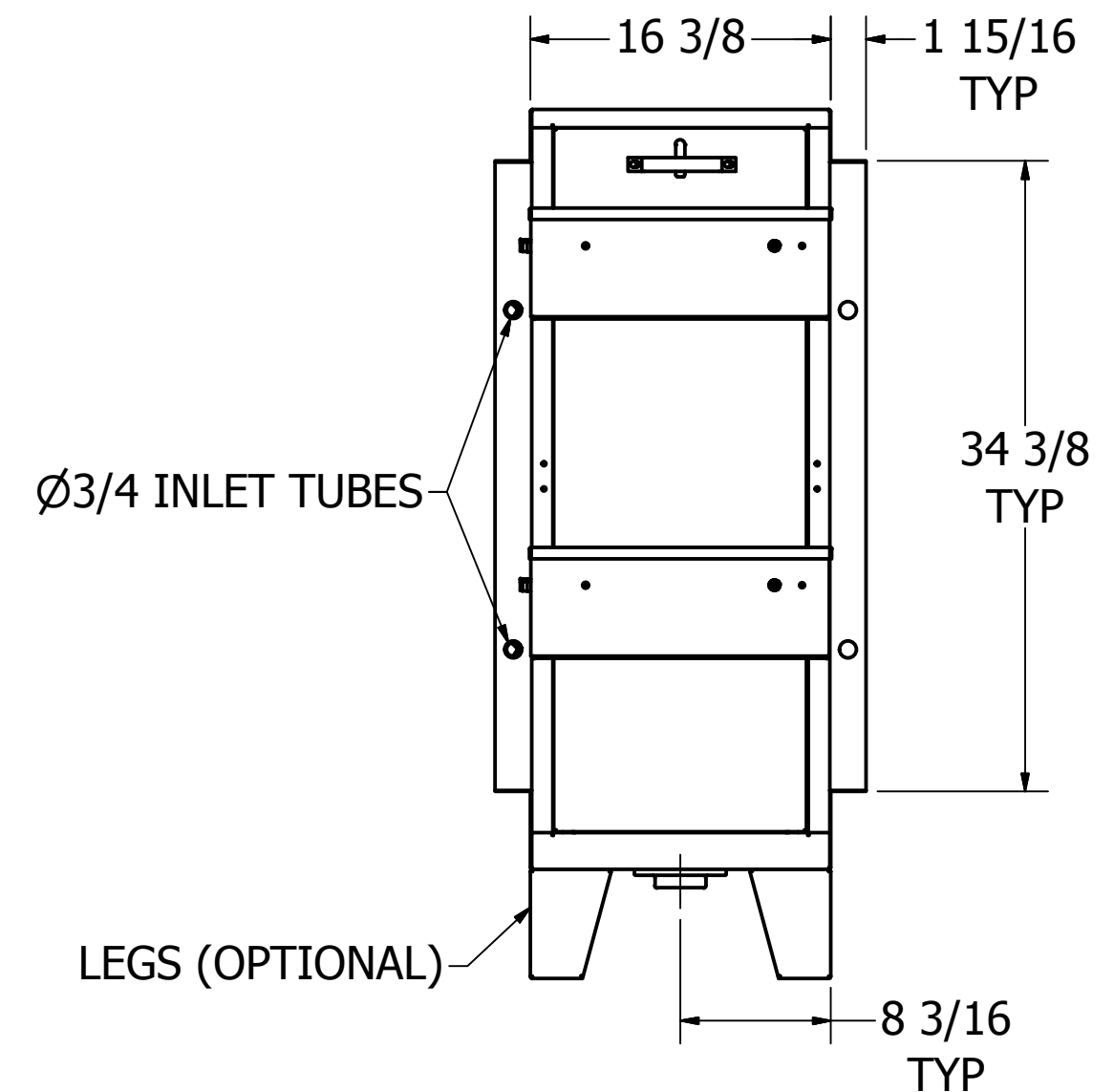
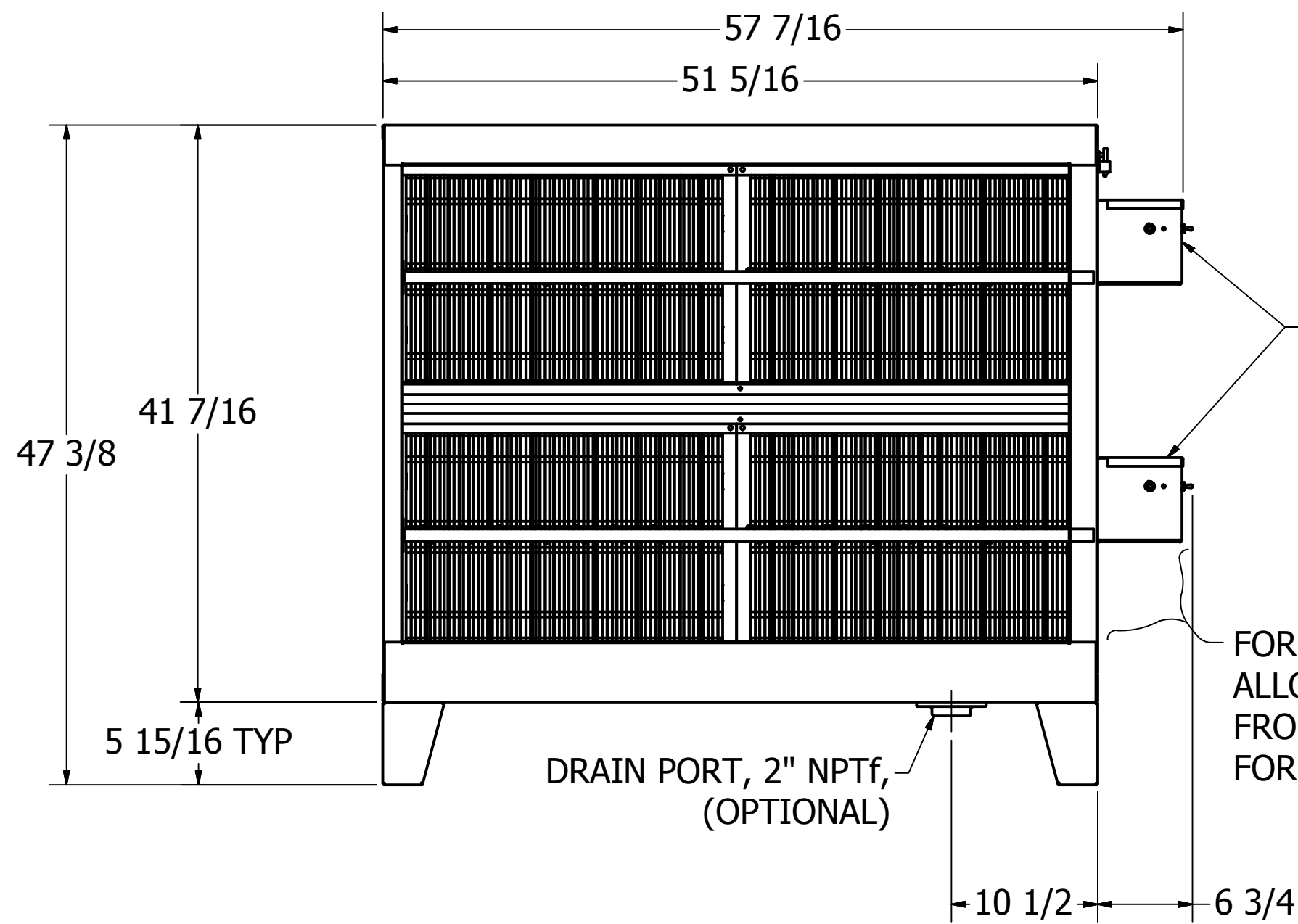
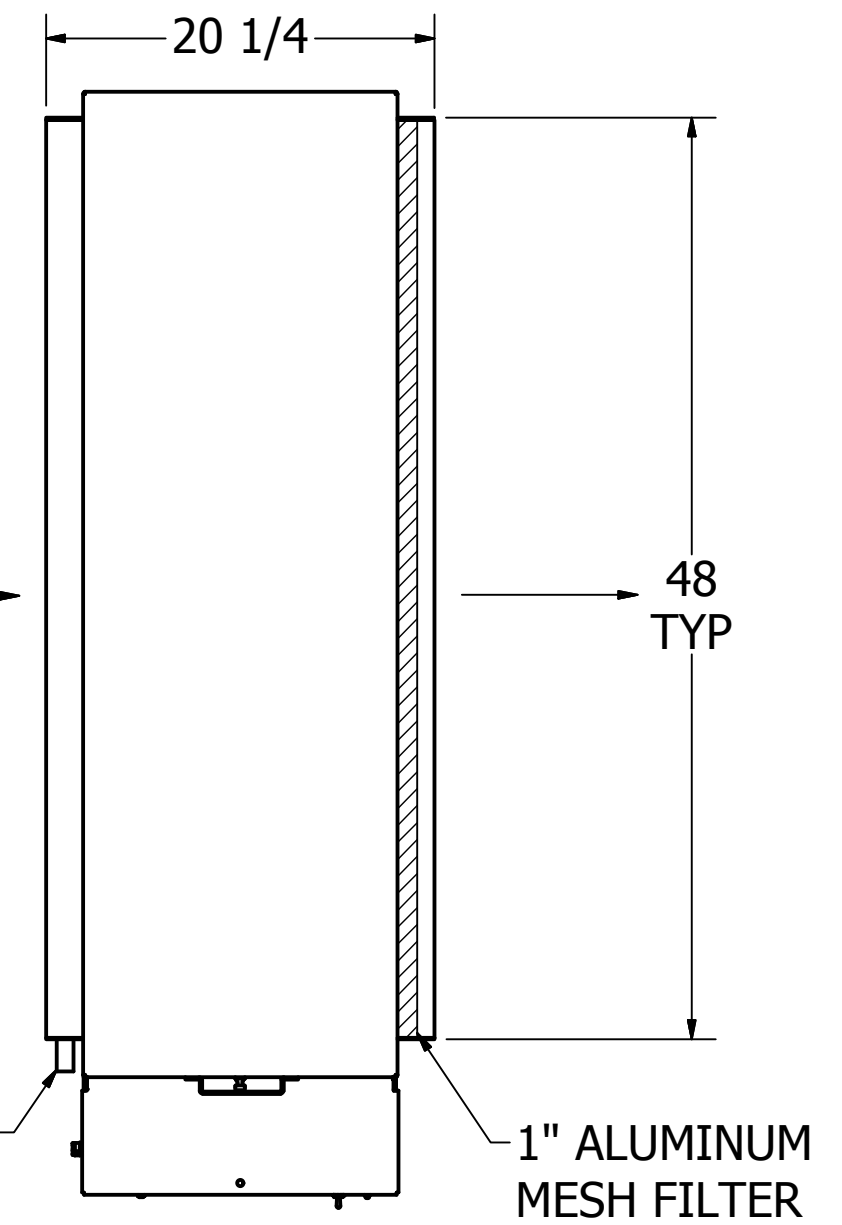


1200 CFM UAPC
PRECIPITATOR CELLS



LOCATION OF WATERWASH
MANIFOLDS DEPENDS ON
DIRECTION OF AIR FLOW

STANDARD
AIR FLOW



NOTE: REMOTE POWER PACK PROVISIONS
AVAILABLE AS AN OPTION.

COMPANY
CONFIDENTIAL

This drawing and all information herein is the property of Universal Air Products Corp. It is confidential and must not be made public or copied. It is loaned, subject to return upon demand. It is not to be used directly or indirectly in any way detrimental to the interests of UNIVERSAL AIR PRODUCTS.

DRAWN KEF	6/7/2011	UNIVERSAL AIR & GAS PRODUCTS CORP. 1140 KINGWOOD AVE NORFOLK, VA 23502		
CHECKED		TITLE		
QA		C3-48H2: 4800 CFM COMMERCIAL 2 HIGH i3-48H2: 4800 CFM INDUSTRIAL 2 HIGH		
MFG		SIZE C	DWG NO 3-48H2	REV B
APPROVED		SCALE 1/10	SHEET 1 OF 1	