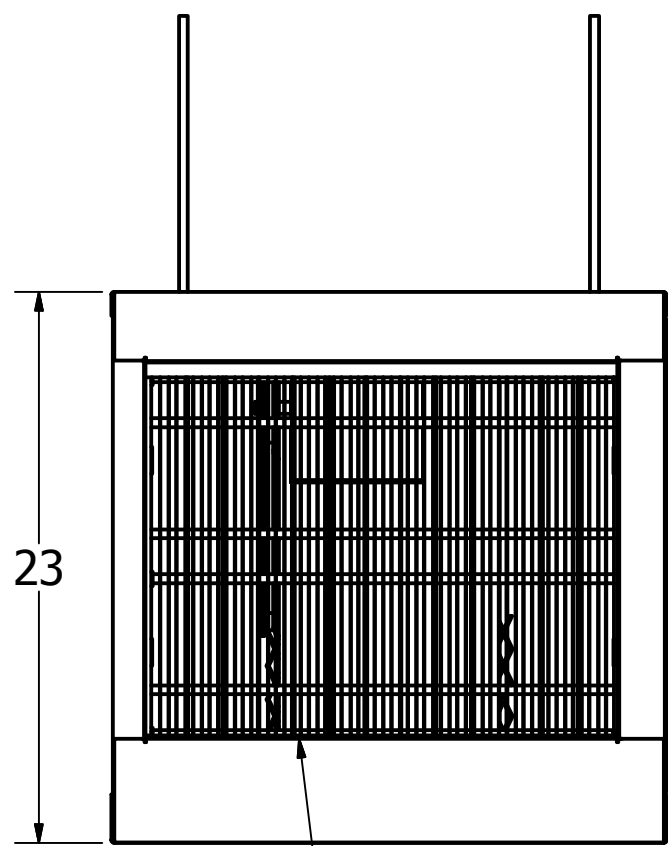


1000 CFM UAPC
PRECIPITATOR CELL

POWER PACK UNIT,
MOUNTED
(SEE DETAIL)

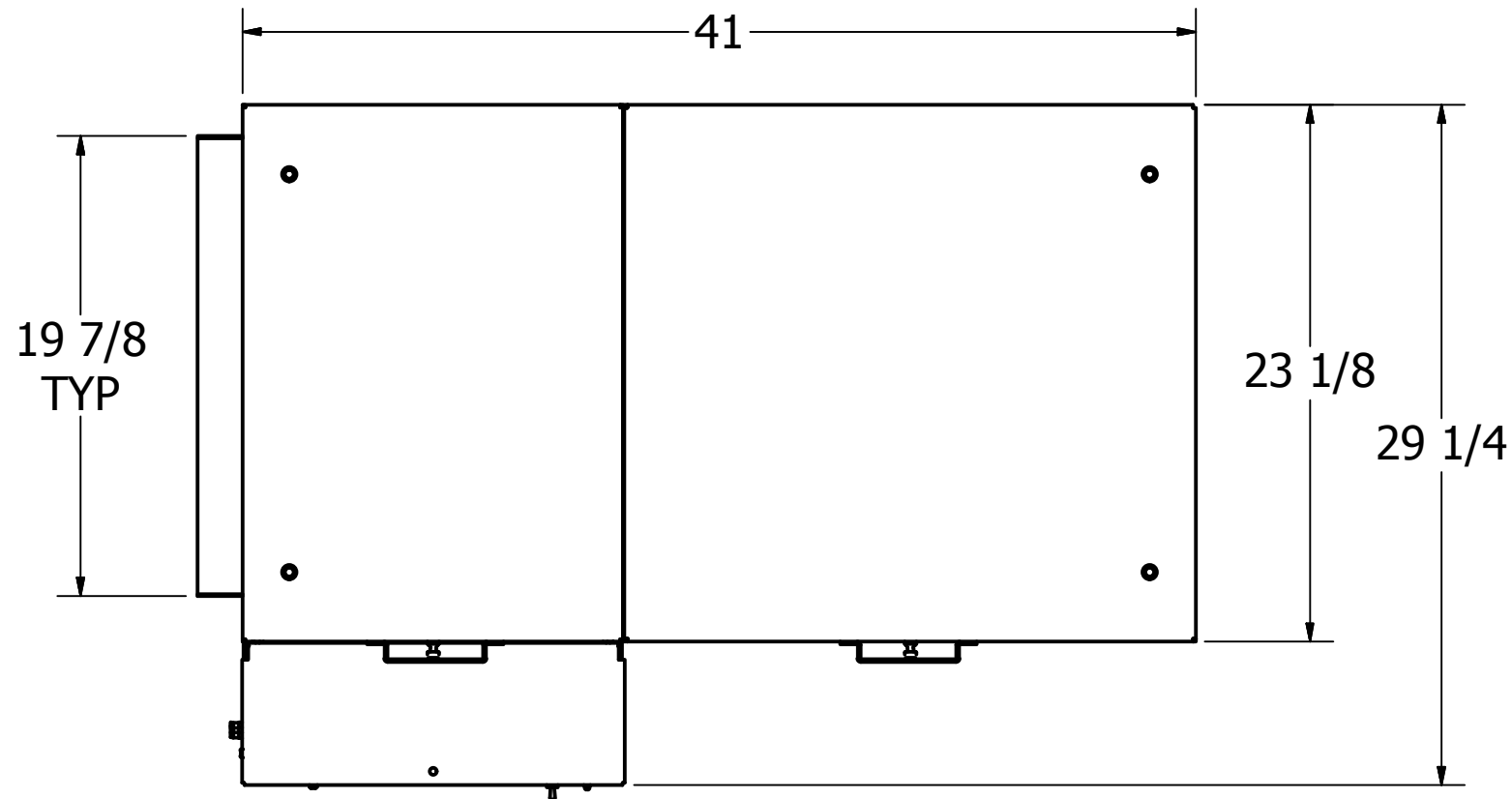


23

ALLOW 3 FEET IN
FRONT OF UNIT
FOR CELL REMOVAL

6 3/4

1" ALUMINUM
MESH PRE-FILTER

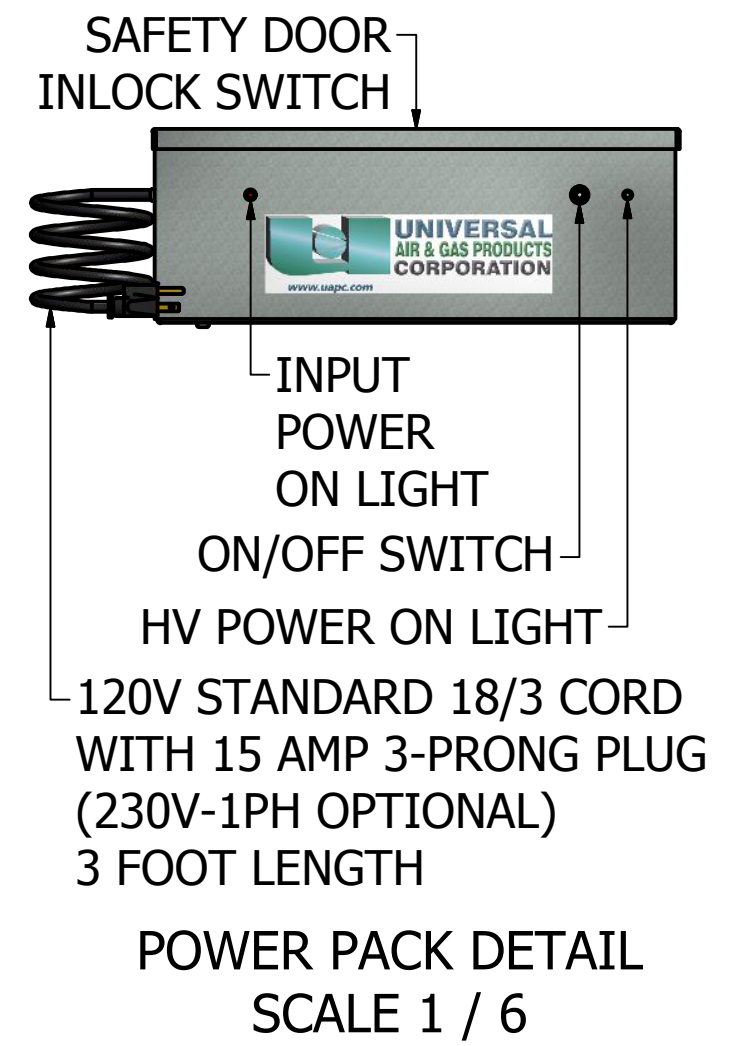


19 7/8
TYP

41

23 1/8

29 1/4



SAFETY DOOR
INLOCK SWITCH

UNIVERSAL
AIR & GAS PRODUCTS
CORPORATION

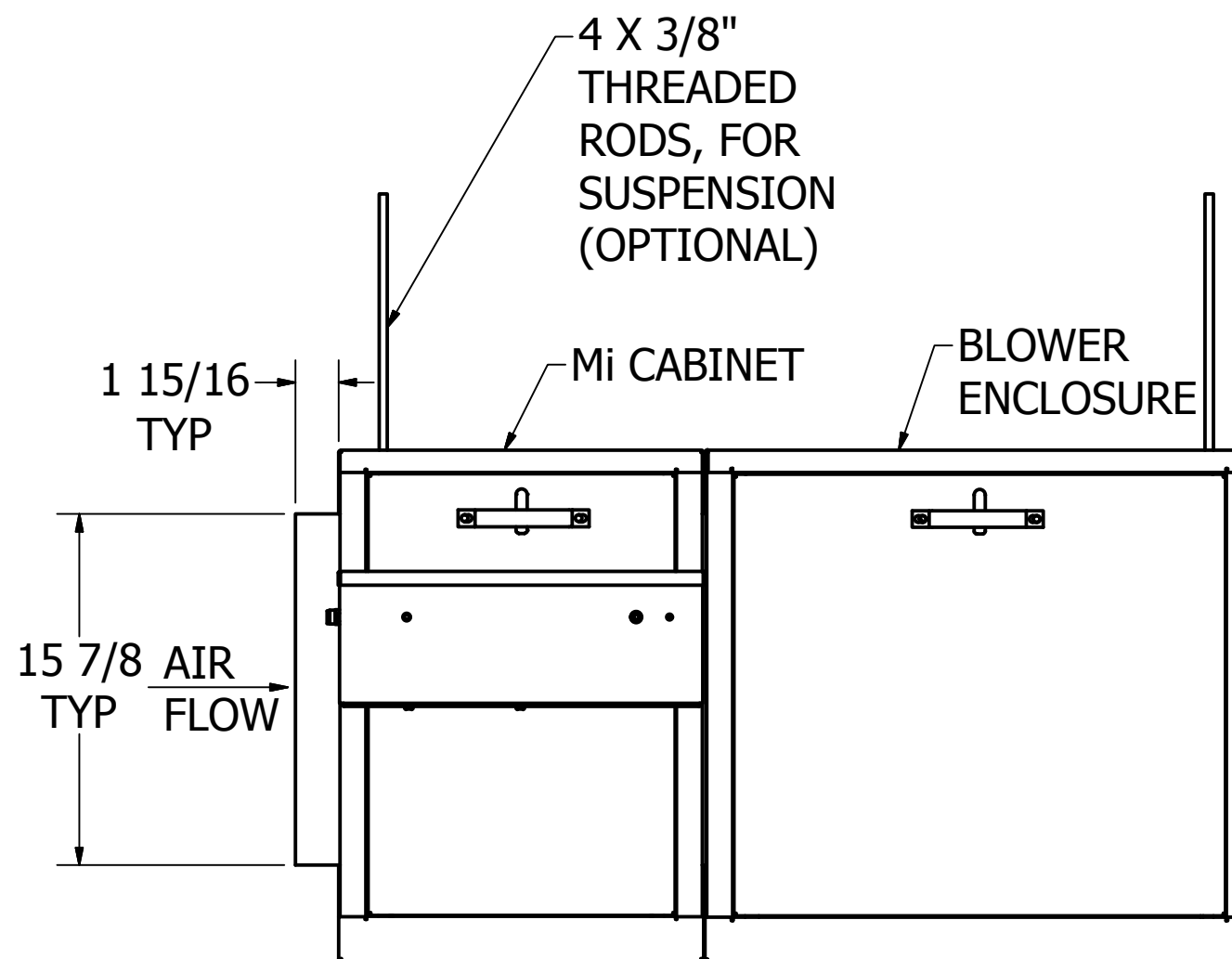
INPUT
POWER
ON LIGHT

ON/OFF SWITCH

HV POWER ON LIGHT

120V STANDARD 18/3 CORD
WITH 15 AMP 3-PRONG PLUG
(230V-1PH OPTIONAL)
3 FOOT LENGTH

POWER PACK DETAIL
SCALE 1 / 6



4 X 3/8"
THREADED
RODS, FOR
SUSPENSION
(OPTIONAL)

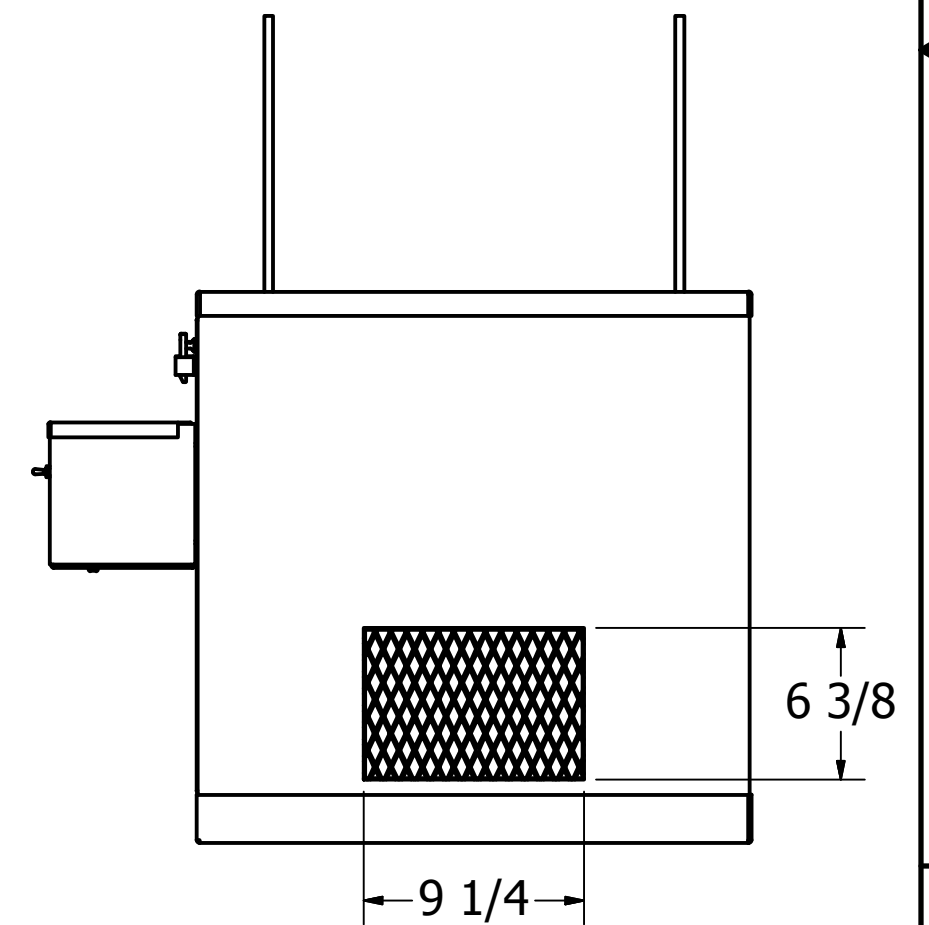
Mi CABINET

BLOWER
ENCLOSURE

1 15/16
TYP

15 7/8 AIR
TYP FLOW

CLEAN AIR
EXHAUST



6 3/8

9 1/4

MATERIAL: 16 GA GALVANIZED

COMPANY
CONFIDENTIAL

This drawing and all information herein is the property of Universal Air Products Corp. It is confidential and must not be made public or copied. It is loaned, subject to return upon demand. It is not to be used directly or indirectly in any way detrimental to the interests of UNIVERSAL AIR PRODUCTS.

DRAWN KEF	7/22/2014	UNIVERSAL AIR & GAS PRODUCTS CORP. 1140 KINGWOOD AVE NORFOLK, VA 23502	
CHECKED		TITLE	
QA		Mi-10: 1000 CFM SELF-CONTAINED AIR CLEANER WITH BLOWER, PORTABLE	
MFG		SIZE C	DWG NO 03460137UL
APPROVED		SCALE 1/8	REV B
		SHEET 1 OF 1	