

ISO VIEW
SCALE 1/8

800 CFM UAPC
PRECIPITATOR CELL

SAFETY DOOR
INLOCK SWITCH

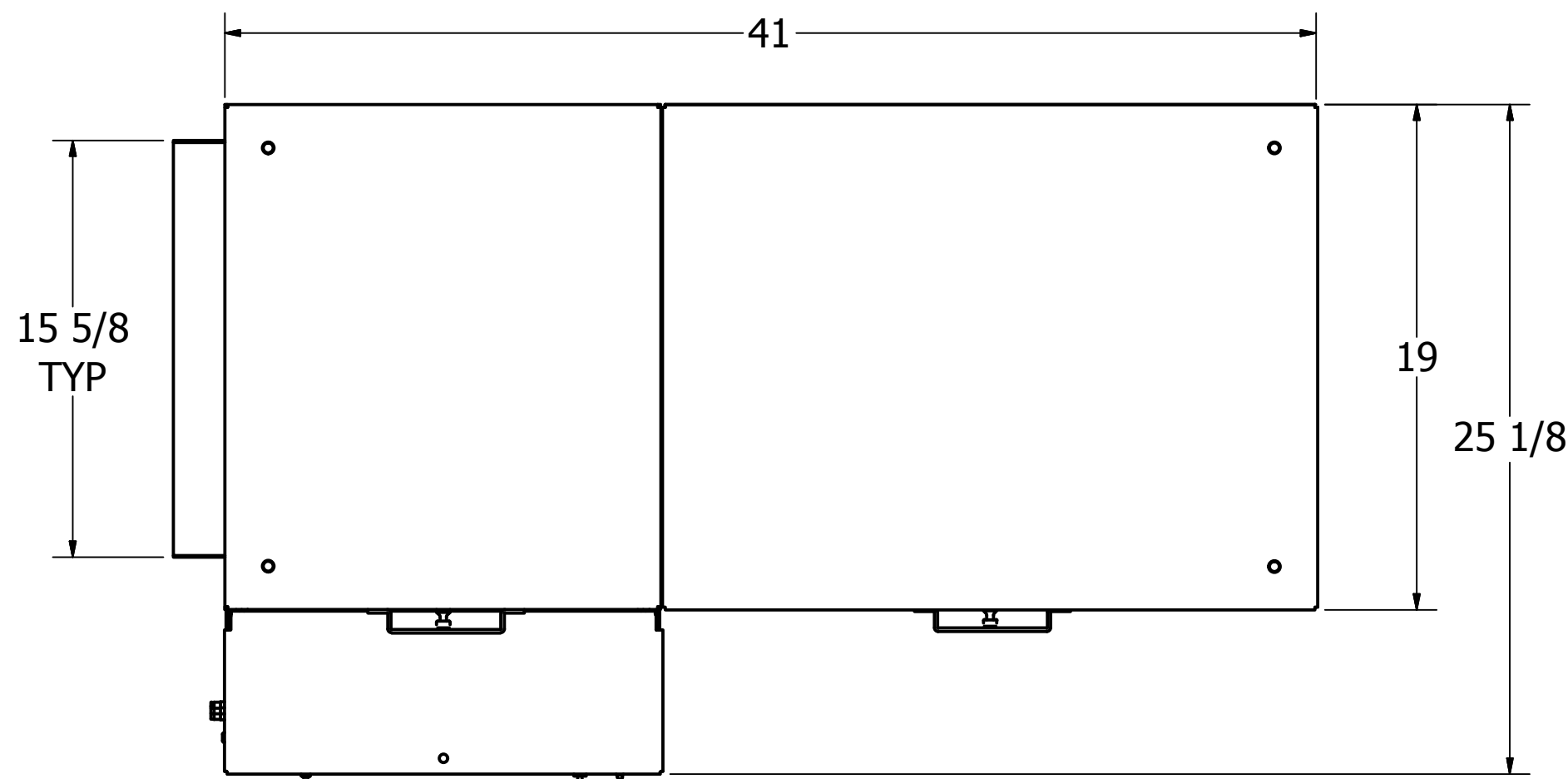


INPUT
POWER
ON LIGHT

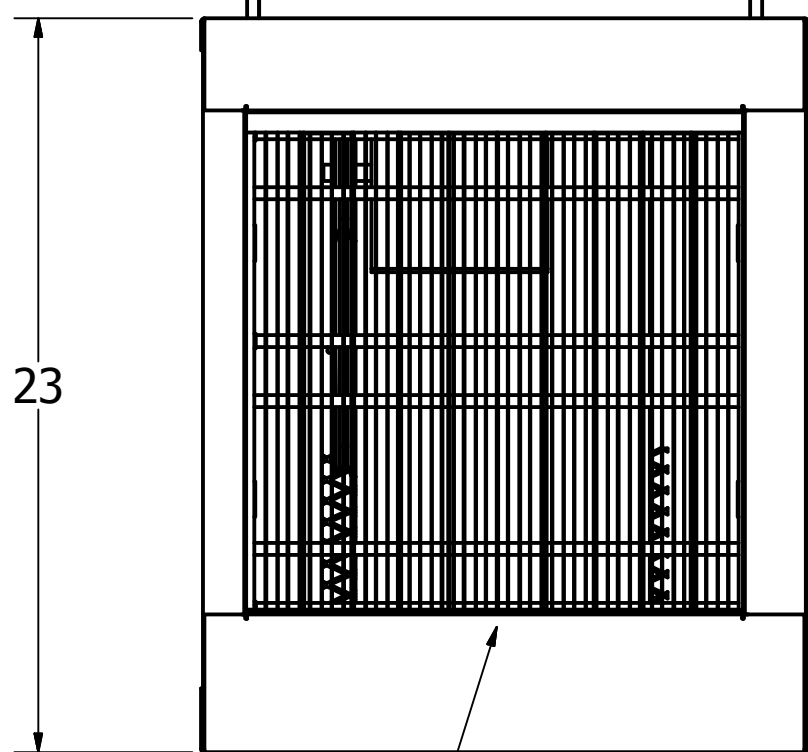
HV POWER ON LIGHT

120V STANDARD 18/3 CORD
WITH 15 AMP 3-PRONG PLUG
(230V-1PH OPTIONAL)
3 FOOT LENGTH

POWER PACK DETAIL
SCALE 1/6



4 X 3/8"
THREADED
RODS, FOR
SUSPENSION
(OPTIONAL)

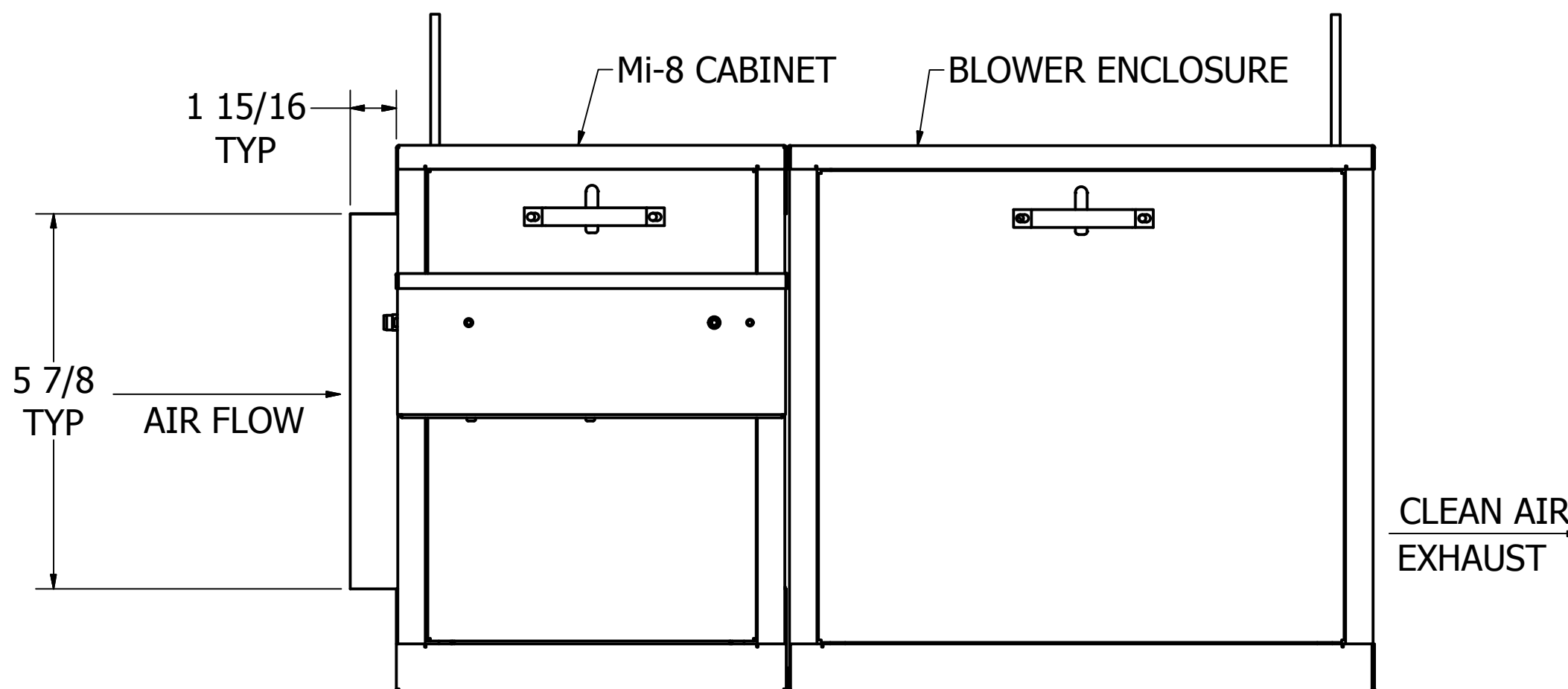


1" ALUMINUM MESH
PRE-FILTER

POWER PACK
UNIT, MOUNTED

ALLOW 3 FEET IN
FRONT OF UNIT
FOR CELL REMOVAL

6 3/4"



Mi-8 CABINET

BLOWER ENCLOSURE

CLEAN AIR
EXHAUST

MATERIAL: 16 GA GALVANIZED

COMPANY
CONFIDENTIAL

This drawing and all information herein is the property of Universal Air Products Corp. It is confidential and must not be made public or copied. It is loaned, subject to return upon demand. It is not to be used directly or indirectly in any way detrimental to the interests of UNIVERSAL AIR PRODUCTS.

DRAWN KEF	5/20/2014	UNIVERSAL AIR & GAS PRODUCTS CORP. 1140 KINGWOOD AVE NORFOLK, VA 23502	
CHECKED		TITLE	
QA		Mi-8: 800 CFM SELF-CONTAINED AIR CLEANER WITH BLOWER, PORTABLE	
MFG		SIZE C	DWG NO 03460081UL
APPROVED		SCALE 1/6	REV B
		SHEET 1 OF 1	