

Gardner
Denver

OIL-WATER SEPARATORS

Eliminator Troubleshooter



Practice Safe Condensate Disposal with the **Gardner Denver** Eliminator Troubleshooter

Traditional gravity type separators do very well in separating oils that have good separation characteristics. However, many compressor oils do not fully separate. These types of oils, known as emulsions, tend to foul-up the carbon filters as well as the pre-absorption and coalescing medias that are commonly installed in front of the carbon filters. Those filters have to be replaced before their capacity is fully used. This is a result of oil binding off the pore area of the carbon where the condensate first comes in contact with the filter. The jelled oil clogs the filter, which then prevents the volume of condensate from properly flowing through the filter. This premature failure of the carbon filters most often results in the system backing up on the floor.

Key Benefits & Savings

- The troubleshooter is designed to effectively separate emulsified compressor condensate to levels of 15 PPM or less without premature element failure and backup spillages.
- Each troubleshooter has a delivery system, (patent pending) with a pneumatically operated pump that is used to feed the filter module. The use of the pressure assures the filter will not clog.
- Increased media's ability up to four times the amount of oil that standard activated carbon can hold. This is due to the alumino silicate being coated with hydrophobic compound (patent pending).
- An improved efficiency system only requires compressed air to operate the diaphragm pump.
- Same delivery system is used for each filter module. Expanding air system may only require a larger filter module. The troubleshooter from Gardner Denver is the perfect fit for safe removal of air compressor condensate.

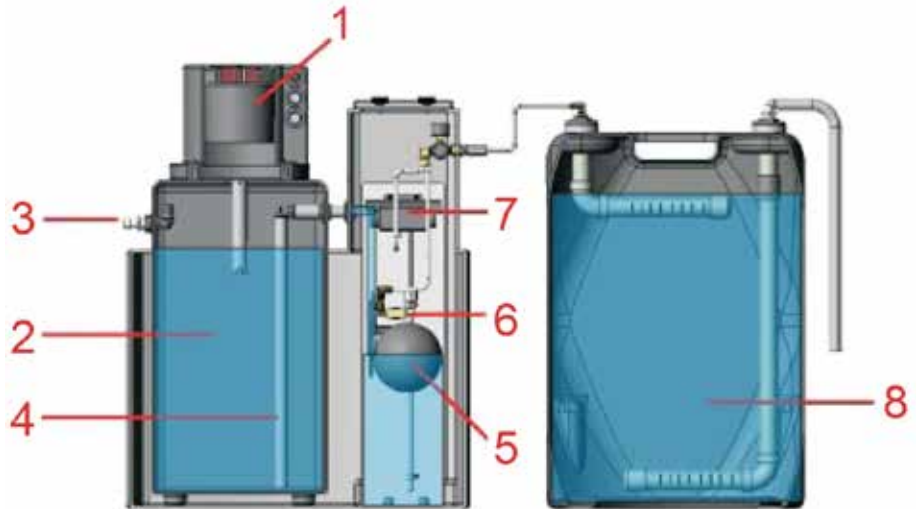
Key Features

- Separates Emulsified Oils
- Low Maintenance Costs
- Only Two Moving Parts
- Fully Automatic
- Non-Corrosive Materials
- Extended Filter Life
- Non-Clogging Filter Design
- Effortless Maintenance Procedures



Operation

The condensate enters the diffuser chamber (1) where it is depressurized. The oily condensate then enters a main reservoir (2) where gravity separation occurs. Any oil that floats to the surface is skimmed off through an adjustable oil weir (3). The condensate then moves to a separate chamber through a pick-up tube (4). As the condensate accumulates in the next chamber, a float (5) rises with the level of condensate. The float is connected to a ball valve (6) by a lever arm. The increased level of condensate causes the float to rise and open the ball valve. As the valve opens, the air-operated pump (7) is allowed to push the condensate out to the filter module (8). If the level of condensate continues to rise, the float also rises and further opens the ball valve. This results in additional condensate being pushed to the filter module. Thus, the system will self adjust to the quantity of condensate entering the system. This system assures maximum contact time for the filter module.



ORDERING INFORMATION

MODEL	DESCRIPTION	
	DELIVERY SYSTEM CFM	FILTER GALLONS
CTS-T15	125-250	15
CTS-T30	250-560	30
CTS-T55	560-1125	55

FILTER REPLACEMENTS

PART #	DESCRIPTION
7037093	Troubleshooter 15 gal. filter
7037094	Troubleshooter 30 gal. filter
7037095	Troubleshooter 55 gal. filter

SPECIFICATIONS

Inter-connecting fittings and hoses are supplied for connecting the delivery system to the filter modules.

MAX GPM	CFM@ 20 PSI	DIMENSIONS (IN)			INLET NPT	OIL OUT	CONTAINER MATERIAL	PUMP MATERIAL
		H	D	W				
0.9	0.35	38	16	24	½" (3)	¾"	Polypro.	Acetal/Viton

FILTER MODULE GALLONS	MAX HP	MAX OIL CAPACITY GALLONS	DIMENSIONS (IN)			INLET (IN)	WATER OUT (IN)	CONTAINER MATERIAL	WEIGHT LBS
			H	D	W				
15	50	5	20	15	15	¾"	Polyethyl.	90	
30	100	12	29	19	19	¾"	Polyethyl.	200	
55	200	24	33	23	23	¾"	Polyethyl.	400	

The troubleshooter is the most economical and efficient way to separate emulsified, slowly demulsible, or high volume condensate loads. Determine the highest cfm flow possible with the application, then make your selection of the appropriate unit size.

*Note: when properly maintained, the troubleshooter will have discharge water containing less than 15 ppm of oil remaining.

A Troubleshooter filter module could last 12 months in a Rotary Screw application. However, filter life may be less due to lubricant, compressor type, and maintenance. Reduce cfm ratings by 50% for reciprocating compressors with lubricators.

Not recommended for Food Grade or Silicone based lubricants. All design specifications are subject to change without notice.

The leader in every market we serve
by continuously improving all business processes
with a focus on innovation and velocity

Gardner

Denver[®]


Gardner Denver, Inc.

1800 Gardner Expressway
Quincy, IL 62305
866-440-6241

www.gardnerdenver.com/gdproducts



©2018 Gardner Denver, Inc. Printed in U.S.A.
GA-ETS 1st Ed. 1/18
Supersedes GA-ETS-102 1st Ed. 4/14

 Please recycle after use.