

Gardner Denver

NO AIR LOSS CONDENSATE DRAIN

NA750



The NA750 Condensate Drain from Gardner Denver

Where Are Automatic Drains Used?

Gardner Denver drains are designed to ensure that manufacturing processes and products do not become contaminated by ensuring that liquid, oil and water condensates are discharged from the compressed air stream. Drain installation is typically a part of a complete Gardner Denver air treatment system:

- 1 Separators used on aftercoolers separate a great amount of condensate from the compressed air system. They are normally integrated into a compressor package or are placed at the compressor outlet. These separators require drains which can handle very high volumes of condensate and particulate contamination.
- 2 Receiver tanks utilize drains installed beneath the tank.
- 3 Refrigerated dryers require effective and reliable condensate removal to ensure a stable dew point and avoid liquid reentrainment in the heat exchanger sets.
- 4 Filters utilize drains to dispose of liquid oil and water which has been separated from the air stream by the coalescing filter element.

Features

- Rated for 750 psig
- Fully pneumatic
- Stainless steel vessel
- Ball valve passes rust and scale
- Ball valve stem support system
- Low profile simplifies installation on base mounted compressors and dryers
- Rugged design for tough applications
- Non-clogging ball valve
- No strainers to clean
- Operates on demand



Design

The NA750 is the ultimate high pressure demand operated drain. The unit is fully automatic, no electricity is required. Its low profile gives you the advantage of installing it in areas where the vessel to be drained is only a few inches from the ground. A unique air valve design uses a magnetic force to ensure both a positive opening and closing that will prevent any air loss. The magnetic force is positioned away from the condensation level to prevent any attraction of metal particulate. An innovative ball valve support and positioning system prevents the side loading problem which otherwise would cause premature sealing failure around the valve stem. 1/2" ball valve ensures that scale and rust will exit the vessel. The NA750 will not clog and no strainer is required.

How it Works

Condensation enters through one of the two inlet ports. A stainless steel float rises with the level of condensation and positions a magnetic force over the valve housing. When the liquid level reaches the desired level, the magnet in the valve housing snaps upward and allows air to pass through a stainless steel seat. The air then moves to a non-lubricated air cylinder causing it to extend and open the ball valve. Condensation, scale and rust particles rapidly exit the unit. Before any air is lost, the float removes the magnetic force from the valve and the seat is covered with a viton seal. A powerful spring returns the air cylinder to its normal position and rotates the positive closing ball valve back to its normally closed position. The pilot air used to actuate the air cylinder is isolated from the air in the drain's reservoir.

SPECIFICATIONS

INLETS	(2) 3/4" NPT
OUTLETS	1/2" NPT
POWER	Clean, dry compressed air 80 to 130 psig
HOUSING PRESSURE	0 to 750 psi
OPERATING TEMPERATURE	32° to 180° F
WEIGHT	23 lbs.
DISCHARGE	24 ounces per cycle

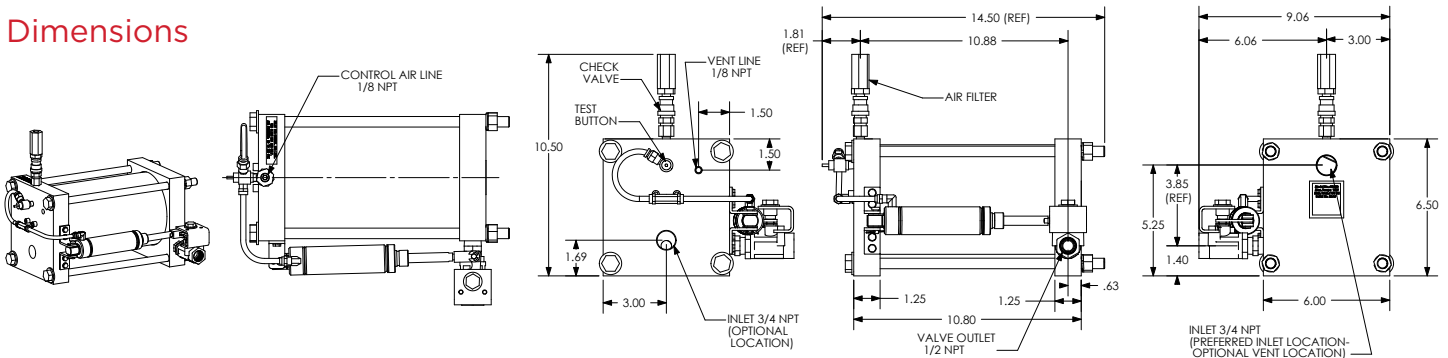
MATERIALS

RESERVOIR	304 Stainless Steel
VALVE	Stainless Steel w/SS. Ball and Stem
FLOAT	Stainless Steel
SEAT	Stainless Steel
SEAL	Viton

Drain test button optional

A fully automatic, high pressure, zero loss drain that requires no electricity. Ideal for systems up to 750 psig.

Dimensions



The leader in every market we serve
by continuously improving all business processes
with a focus on innovation and velocity

**Gardner
Denver**[®]

Gardner Denver, Inc.

1800 Gardner Expressway
Quincy, IL 62305
866-440-6241

www.gardnerdenver.com/gdproducts



©2018 Gardner Denver, Inc. Printed in U.S.A.
GA-NA750 1st Ed. 3/18
Supersedes GA-NA750-102 1st Ed. 4/14

